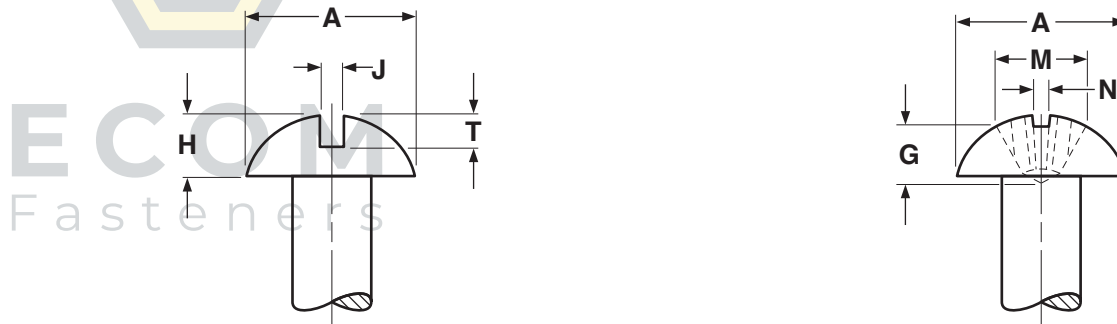
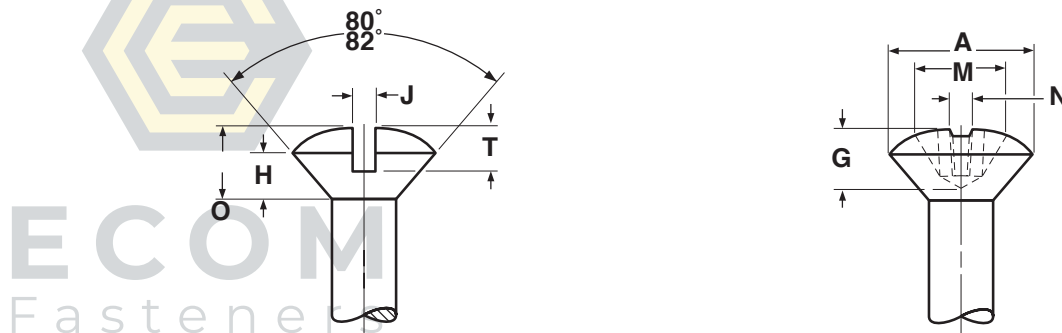


**Round Head
Oval Head** **HEAD DIMENSIONS**



ROUND HEADS FOR WOOD SCREWS														ASME B18.6.1
Nominal Size	A		H		J		T		M		G		N	Phillips Driver Size
	Head Diameter		Height of Head		Width of Slot		Depth of Slot		Dimensions of Recess					
	Max	Min	Max	Min	Max	Min	Max	Min	Diameter		Depth		Width	
2	.162	.146	.069	.059	.031	.023	.048	.037	.114	.101	.064	.042	.018	1
4	.211	.193	.086	.075	.039	.031	.058	.044	.130	.117	.083	.063	.019	1
5	.236	.217	.095	.083	.043	.035	.063	.047	.154	.141	.074	.046	.027	2
6	.260	.240	.103	.091	.048	.039	.068	.051	.162	.149	.084	.056	.027	2
7	.285	.264	.111	.099	.048	.039	.072	.055	.170	.157	.092	.066	.028	2
8	.309	.287	.120	.107	.054	.045	.077	.058	.178	.165	.101	.075	.030	2
9	.334	.311	.128	.115	.054	.045	.082	.062	.186	.173	.110	.084	.030	2
10	.359	.334	.137	.123	.060	.050	.087	.065	.195	.182	.119	.093	.031	2
12	.408	.382	.153	.139	.067	.056	.096	.073	.249	.236	.125	.099	.032	3
14	.457	.429	.170	.155	.075	.064	.106	.080	.265	.252	.142	.116	.034	3



OVAL HEADS FOR WOOD SCREWS														ASME B18.6.1		
Nominal Size	A		H		O		J		T		M		G		N	Phillips Driver Size
	Head Diameter		Height of Head		Width of Slot		Depth of Slot		Dimensions of Recess							
	Max	Min	Side Height	Total Height	Max	Min	Max	Min	Diameter		Depth		Width			
4	.225	.195	.067	.104	.084	.039	.031	.059	.049	.136	.123	.094	.077	.019	1	
5	.252	.220	.075	.116	.095	.043	.035	.067	.055	.158	.145	.085	.061	.028	2	
6	.279	.244	.083	.128	.105	.048	.039	.074	.060	.178	.165	.105	.080	.030	2	
8	.332	.292	.100	.152	.126	.054	.045	.088	.072	.205	.192	.131	.106	.033	2	
9	.358	.316	.108	.164	.137	.054	.045	.095	.078	.216	.203	.144	.119	.034	2	
10	.385	.340	.116	.176	.148	.060	.050	.103	.084	.261	.248	.142	.118	.037	3	
12	.438	.389	.132	.200	.169	.067	.056	.117	.096	.283	.270	.165	.140	.040	3	